



NAND Flash Solid State Drive for StackableUSB™ USB1411



Features

- ✓ Rugged, stackable “thumb drive” storage device with 2GB capacity
- ✓ Data transfer rates of up to 30MB/s
- ✓ Supports X86, Pentium, ARM and host microcontroller platforms
- ✓ Shock and vibration tolerant
- ✓ Small 1.85” x 1.74” board
- ✓ -40° to +85°C operation



The USB1411 easily expands the solid state memory capacity of any StackableUSB Host computer or microcontroller. Designed for rugged embedded systems requiring secure connections, all memory devices are soldered to the module to increase shock and vibration tolerances. The module provides high-speed data transfers up to 30MB/s. The USB1411 comes as a 1GB or 2GB device, making it ideal for data logging and application programs.

The USB1411 runs on Microsoft Windows 7, Windows Vista, Windows XP, Windows ME, Windows 2K SP4, Windows CE, Apple OSX, and Linux Mass Storage Class Drivers out of the box. It is compatible with any operating system providing USB thumb drive support.

Additionally, the USB1411 expands memory capacity for microcontrollers when the Host controller supports USB “Embedded Host” mode and provides USB Mass Storage Class drivers in their development toolkits.

The 1.85” x 1.74” module is USB 2.0 compliant providing users the advantages of plug-and-play interfacing. The module stacks onto the top or bottom of any StackableUSB host single board computer or microcontroller forming a small, rugged, embeddable system, ideal for harsh environments. The USB1411 can be connected to desktop PCs and laptops via a Mini-B USB connector for development.

Software/Driver Support

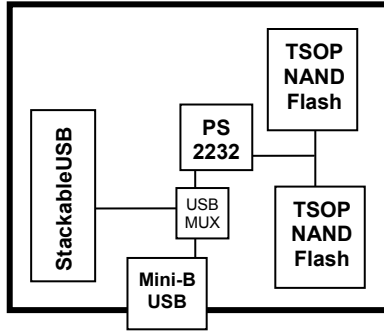
Windows 7, Vista, XP, ME,
2K SP4, CE,
Linux
Apple OSX
Microcontroller Host firmware

Compatible Hardware

StackableUSB Host single board
computer and microcontrollers
PC Host desktops and laptops

Mounting/Packaging

¼-Size 104™ Form Factor
Standoffs, STDOFFUSB



Specifications:

Mechanical:

- 1.85" x 1.74" StackableUSB
- ¼-Size 104™ Form Factor

Power Requirements:

- +5v ±5% at:
 - 1GB - 120mA typical, 130mA max
 - 2GB - 145mA typical, 155mA max

Environmental:

- 40° to +85°C operating
- 40° to +85°C storage
- 5%-95% relative humidity, non-condensing

External Connections:

- StackableUSB connector
- Mini-B USB connector

Internal Electrical Interface:

- StackableUSB
- USB1.1 & 2.0 compatible, high-speed

Development Kit:

- Base module
- Complete cable set
- Documentation, sample software

Ordering Information:

OEM Modules :

USB1411-ST	1GB NAND Flash Solid State Drive with StackableUSB stack-through connector and Mini-B USB connector for PC connection
USB1411-PC	1GB NAND Flash Solid State Drive with Mini-B USB connector for PC connection
CS1411	Complete cable set
1411OPT1	2GB NAND Flash

Related Products:

STDOFFUSB	StackableUSB standoff kit
CA4136	Type A to Mini-B USB cable

Development Board Kits*

DK1411-ST	1GB NAND Flash Solid State Drive with StackableUSB stack-through connector and Mini-B USB connector for PC connection; Windows-ready development kit
DK1411-PC	1GB NAND Flash Solid State with Mini-B USB connector for PC connection; Windows-ready development kit

*See Development Kit Specifications