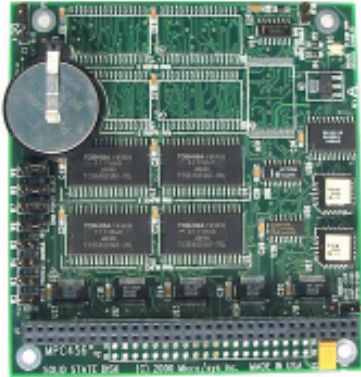




Solid State Disk Drive for PC/104 MPC456



Features

- ✓ Up to 4M of static RAM
- ✓ Up to 32M of Flash
- ✓ On-board battery backup for RAM in 1M blocks
- ✓ Off-board battery support
- ✓ Write protection for RAM in 1M blocks
- ✓ LEDs for disk access, write protect
- ✓ Optional flash-based option ROM
- ✓ 5V-only operation
- ✓ PC/104 Format

The MPC456 solid state disk drive module is a large capacity solid-state memory board for any PC/104 system. The MPC456 supports up to eight 512KB Static RAM devices and up to eight 4MB Flash EPROM devices. All devices are surface mount type. In systems running under a disk-based operating system such as MSDOS, the MPC456 can emulate a ROM disk of up to 32MB and a RAM disk of up to 4MB.

Application programs can be loaded from ROM disk and data logging and temporary files can be read and written on the RAM disk.

In systems without a disk-based operating system, all memory on the MPC456 can be accessed through a paged access scheme similar to Expanded Memory (EMS). Linkable drivers are included with the MPC456 for this type of access.

Software Support

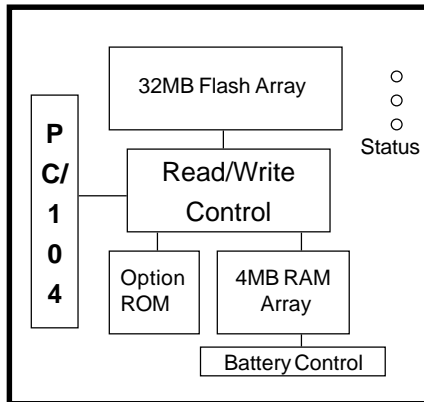
*Under DOS -RAMdisk and
ROMdisk drivers
Linkable library included*

Compatible Hardware

*Any Micro/sys CPU with
PC/104 expansion connector
[see Section 1]*

Mounting/Packaging

PC/104 standard



Specifications:

Mechanical:

- 3.55" x 3.775" x .6"
- Four mounting holes in corners

Power Requirements:

- +5V \pm 5% at 145mA max (+30mA/MB SRAM) (+8mA/MB Flash)

Environmental:

- 0° - +70°C operating
- 25° - +85°C storage
- 5%-95% relative humidity, non-condensing

PC/104 Interface:

- 8-bit PC/104 module
- Optional 16-bit connector routes signals to modules above MPC456

Programming Interface:

- 64KB memory address window in first megabyte of memory
- Jumper selectable D0000 or E0000 window start
- 32KB memory device access, 32KB option ROM access

- Battery status software readable
- Write protection software writeable
- Write protection status software readable

Ordering Information:

MPC456	2MByte SRAM Solid State Disk Drive
MPC456-1	2MByte SRAM/4MByte Flash Solid State Disk Drive
MPC456-2	4MByte SRAM/8MByte Flash Solid State Disk Drive
MPC456-3	4MByte SRAM/32MBytes Flash Solid State Disk Drive
456OPT-F2	Add 2MB Flash
456OPT-F4	Add 4MB Flash
456OPT-F8	Add 8MB Flash
456OPT-F16	Add 16MB Flash
456OPT-F32	Add 32MB Flash
456OPT-R0	Delete all SRAM
456OPT-R1	Reduce SRAM to 1MB
456OPT-R4	Increase SRAM to 4MB