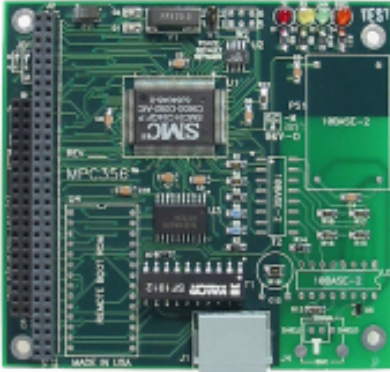




Ethernet Adapter for PC/104 MPC356



Features

- ✓ IEEE 802.3 Ethernet standard
- ✓ Thin coax 10BASE-2 or twisted pair 10BASE-T media
- ✓ Compatible with drivers for Novell, LAN Manager, Windows, TCP/IP
- ✓ Same drivers as SMC ISA adaptors
- ✓ Configurable I/O address, ROM address, and IRQ number

The MPC356 Ethernet Adapter provides Ethernet connection to any PC/104 system. It provides direct links to the most popular PC networks, including Novell Netware, Microsoft LAN Manager, Windows for Workgroups, and other ODI, NDIS, or TCP/IP networks.

The 10BASE-2 version includes a cable and provides a BNC connector for thin coax networks. An on-board RJ45 connector is supplied for twisted pair wiring on the 10BASE-T version.

The MPC356 provides flexible system configuration, as base I/O port, ROM base address, and IRQ level are all selectable.

An on-board memory buffer holds received packets until the system CPU can read them. Remote boot capabilities are supported through the included option ROM socket.

The MPC356 includes on-board diagnostic LEDs to simplify network troubleshooting and is available in both 8-bit or 16-bit PC/104 versions.

Software Support

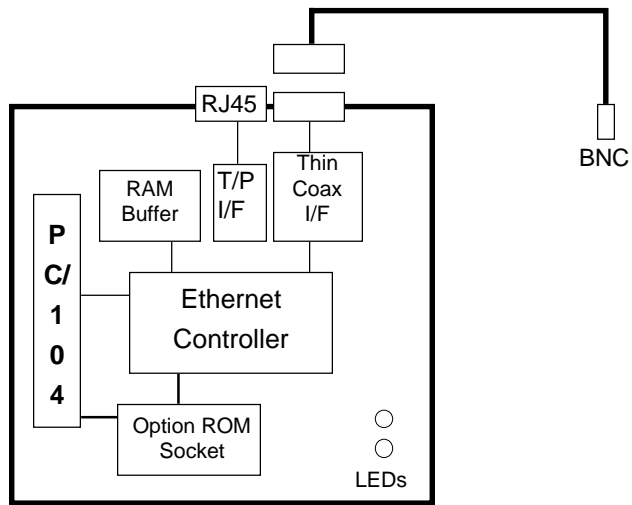
Packet drivers included for most networks: IPX, ODI, NDIS, TCP/IP

Compatible Hardware

*Any Micro/sys CPU with PC/104 expansion connector
Networks on thin coax or twisted pair media*

Mounting/Packaging

PC/104 standard



Specifications:

Mechanical:

- PC/104 standard
- 3.55" (plus I/O region) x 3.775" x .6"

Power Requirements:

- +5V \pm 5% at 250 mA max

Environmental:

- 0° - +70°C operating
- 25° - +85°C storage
- 5%-95% relative humidity, non-condensing

PC/104 Interface:

- 8-bit and 16-bit PC/104 version available
- I/O address 300h, 320h, 340h, or 360h
- ROM base C8000h, CC000h, D0000h, or D4000h
- IRQ2, 3, 4, or 5

External Connections:

- BNC connector, thin coax version
- RJ45 connector, twisted pair version

Ordering Information:

- | | |
|-----------|--|
| MPC356-2 | Ethernet Adapter with thin coax cable, 16-bit PC/104 |
| MPC356-T | Ethernet Adapter with twisted pair RJ45, 16-bit PC/104 |
| MPC356-82 | Ethernet Adapter with thin coax cable, 8-bit PC/104 |
| MPC356-8T | Ethernet Adapter with twisted pair RJ45, 8-bit PC/104 |