



# VGA, Disk, and Network Interface for PC/104 MPC205

## Features



- ✓ VGA CRT Support
- ✓ Single/Dual Floppy disk interface
- ✓ Single/Dual IDE interface
- ✓ Keyboard controller supports keyboard and PS/2 mouse
- ✓ Optional 10BASE-T Ethernet
- ✓ 5V-only operation
- ✓ PC/104 format

The MPC205 Development I/O card provides a diversified PC/104 user interface solution. MPC205 onboard features include a VGA system supporting any standard VGA CRT monitor, a floppy/IDE controller which can interface up to two IDE hard drives and two floppy disk drives to any PC/104 computer system, and a keyboard controller supporting a keyboard and PS/2 mouse. In addition, MPC205 has an onboard 10BASE-T

Ethernet controller (optional) supporting the IEEE 802.3 Ethernet standard. It provides direct links to the most popular PC networks, including Novell Netware, Microsoft LAN Manager, Windows for Workgroups, and other ODI, NDIS, or UDP/IP networks.

### Software Support

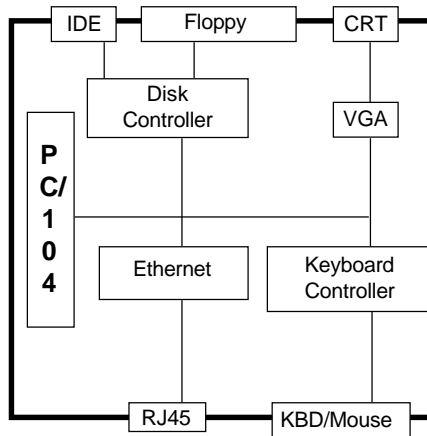
*All PC disk software.  
VGA, keyboard, and PS/2  
mouse included  
Drivers included for most  
networks: IPX, ODI,  
NDIS, UDP/IP*

### Compatible Hardware

*Micro/sys CPUs with 16-bit  
PC/104 expansion  
connector  
Floppy disk drives  
IDE hard disk drive  
VGA CRTs  
Keyboard & PS/2 mouse  
Networks on twisted pair  
media with Ethernet option*

### Mounting/Packaging

*PC/104 standard*



## Specifications:

### Mechanical:

- PC/104 standard
- 3.55" (plus I/O region) x 3.775" x .6"

### Power Requirements:

- +5V  $\pm$  5% at 400mA max

### Environmental:

- 0° - +70°C operating
- 25° - +85°C storage
- 5%-95% relative humidity, non-condensing

### PC/104 Interface:

- 16-bit PC/104 module
- Floppy I/O ports: 3F0-3F7
- IDE I/O ports: 3F6-3F7
- Floppy DRQ2/DACK2
- 4 selectable I/O port areas for keyboard/mouse
- Ethernet I/O address 300h, 320h, 340h, or 360h
- IRQ jumpers

### External Connections:

- 40-pin right angle IDE header
- 34-pin right angle floppy header
- 10-pin right angle keyboard/mouse interface
- 14-pin VGA header interface
- RJ45 connector (Ethernet option)

## Ordering Information:

|          |                          |
|----------|--------------------------|
| MPC205   | Development I/O board    |
| 205OPT20 | 10BASE-T Ethernet option |

### Related Products:

|          |                                   |
|----------|-----------------------------------|
| CA4025   | IDE cable, 40-pin/40-pin headers  |
| CA4030   | VGA cable                         |
| CA4031-3 | Dual 3.5" floppy cable            |
| CA4048   | Keyboard and mouse breakout cable |