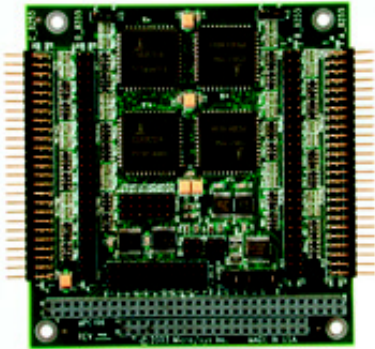




High Density Digital I/O for PC/104 MPC196



Features

- ✓ 96 user TTL-level I/O lines
- ✓ I/O direction selectable
- ✓ Selectable pull-downs/ups on I/O
- ✓ Current-limiting resistors
- ✓ IRQs from I/O or external
- ✓ Individual grounds for all signals
- ✓ PC/104 format, extended temperature operation available

The MPC196 is a plug-on PC/104 board that adds high density digital I/O to PC/104 systems. Four 82C55s provide bi-directional interfaces to and from A/D, D/A, and general system I/O. Each of the 96 lines can be individually controlled and are bi-directional in groups of eight. System reliability for this additional I/O is enhanced with grounds between each 82C55 signal. Consistent system

start-up status is controlled with pull-down/pull-up resistors on all I/O lines.

The robustness of the MPC196 protects against power sequencing problems in PC/104 systems. This is accomplished with on-board current-limiting resistors that prevent overload currents.

Software Support

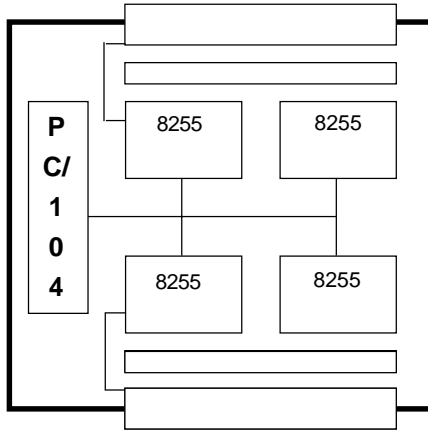
*Example software included
for DOS/Linux*

Compatible Hardware

*Any Micro/sys CPU with
PC/104 expansion connector*

Mounting/Packaging

PC/104 standard



Specifications:

Mechanical:

- PC/104 standard
- 3.55" (plus I/O region) x 3.775" x .6"

Power Requirements:

- +5v \pm 5% at 150mA max

Environmental:

- 0° - +70°C operating
- 40° - +85°C operating, -ET version
- 40° - +85°C storage
- 5%-95% relative humidity, non-condensing

PC/104 Interface:

- 8-bit PC/104 transfers
- IRQ source from I/O, timers, external
- Two interrupts jumperable to IRQ3,4,5,6,7,9,
- Jumperable to IRQ10,11,12,14,15 if MPCOPT16ST installed

Digital I/O:

- 96 total in twelve 8-bit groups
- Outputs sink/source 2.5mA
- Selectable input/outputss can source IRQs

- Jumper selectable 4.7k pull-downs/ups on I/O for initialization after reset
- 470-ohm current-limiting resistors
- Individual grounds for all signals

External Connections:

- Four 50-pin headers for digital I/O

Ordering Information:

MPC196	High density digital I/O
MPC196-ET	High density digital I/O, extended temperature operation

Related Products:

CA5049	50-pin to 50-pin ribbon cable
TB5001	50-point breakout board
MPCOPT16ST	16-bit PC/104 stackthrough connector