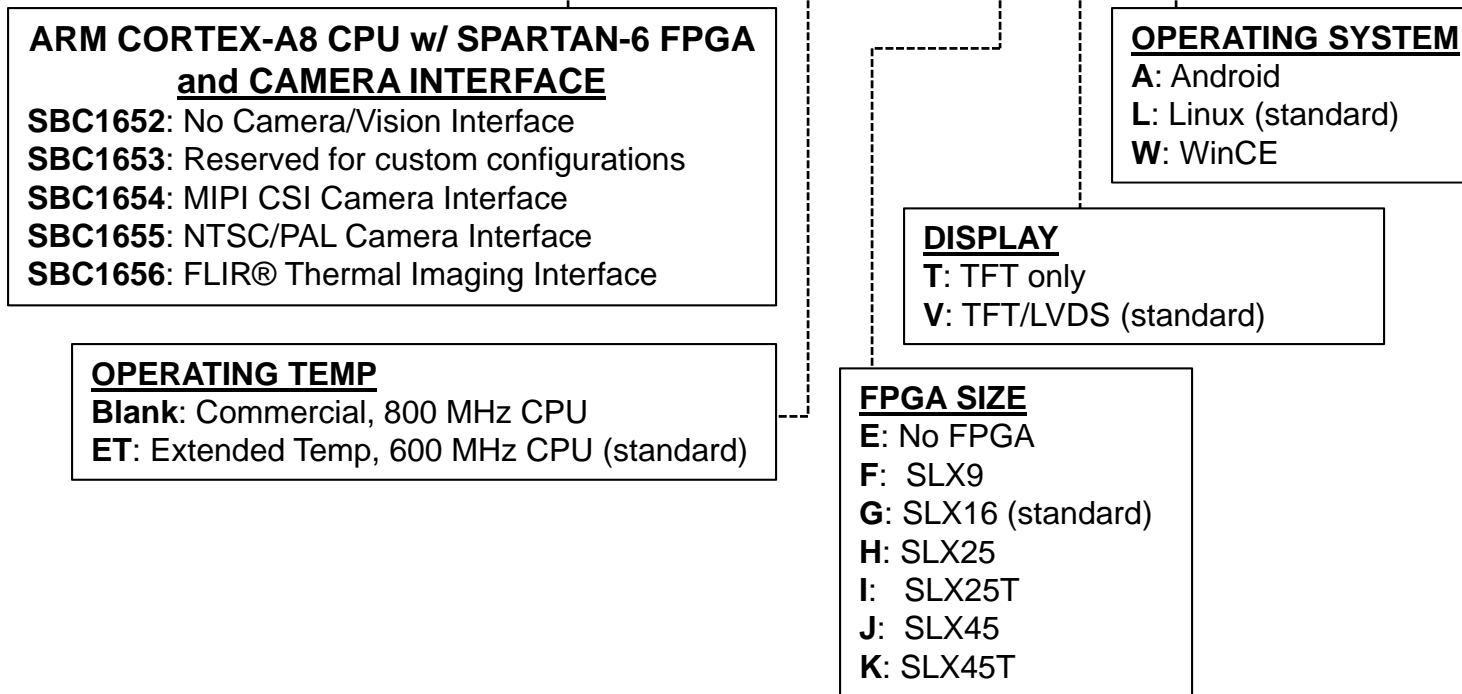




# SBC165x Ordering Configuration

**SBC1652 – ET – G V L**





# SBC1652 Development Kit Ordering

**DK 1652-ET-GVL**

**DEVELOPMENT KIT**

**DK:** Standard Development Kit  
**DKF:** FPGA Development Kit

**SBC1652 CONFIGURATION**

Configure the SBC1652 in your Kit  
(see SBC1652 Ordering Configurations)